

Rev:A00

SMA-MM-L-25 Cu-Ni Cable



Cable length, connector, cable diameter and bending mode can be customized.

Bare wire diameters include 0.5mm, 0.86mm and 1.2mm.

Technical requirements

Item	Specification
Impedance	50Ω
Frequency range	DC-12GHz, 12GHz-18GHz
Return loss	≥20dB@DC-12GHz(300K) ≥17dB@12-18GHz(300K) ≥18dB@DC-12GHz(77K) ≥16dB@12-18GHz(77K)
Insert loss	Insertion loss can be calculated according to the length and the attenuation of the bare wire of different diameters.
Insulation resistance	≥5000MΩ
Temperature	10mK-300K
Connector	SMA-M & SMA-M

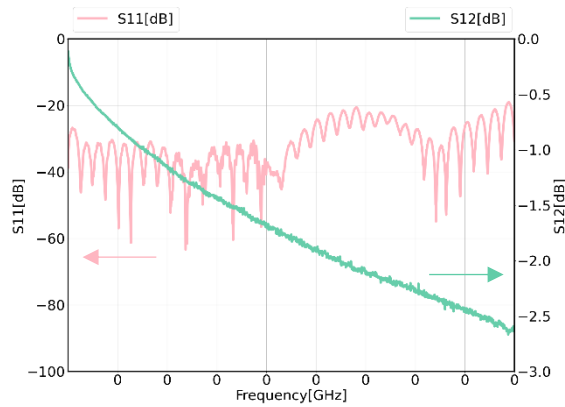
SMA-MM-L-25 Cu-Ni Cable

Material and surface

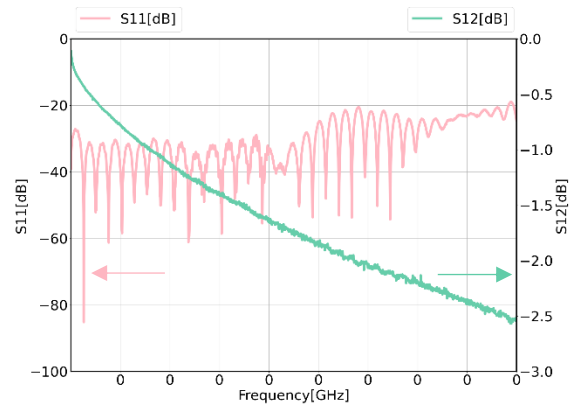
	Item	Material	Surface
SMA Connector	Outer conductor	Beryllium bronze	Non-magnetic gold plated
	Center conductor	Beryllium bronze	Non-magnetic gold plated
	Connector-dielectric	PTFE	/
	Cable	Cu-Ni	/

Test results (CASG01811A330)

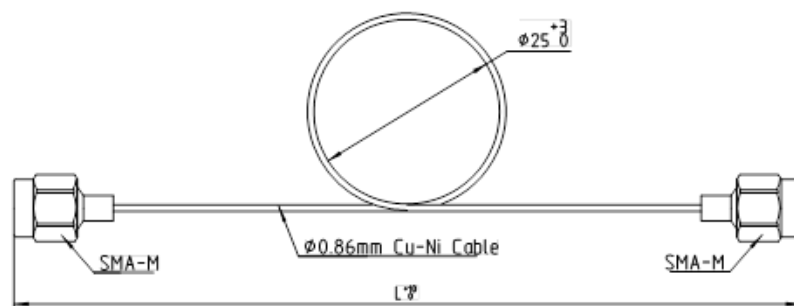
Measure data, T_{amb}=300K



Measure data, T_{amb}=77K



Outline drawing (Unmarked tolerance: ±0.1mm)



Bare wire diameters include 0.5mm, 0.86mm and 1.2mm.